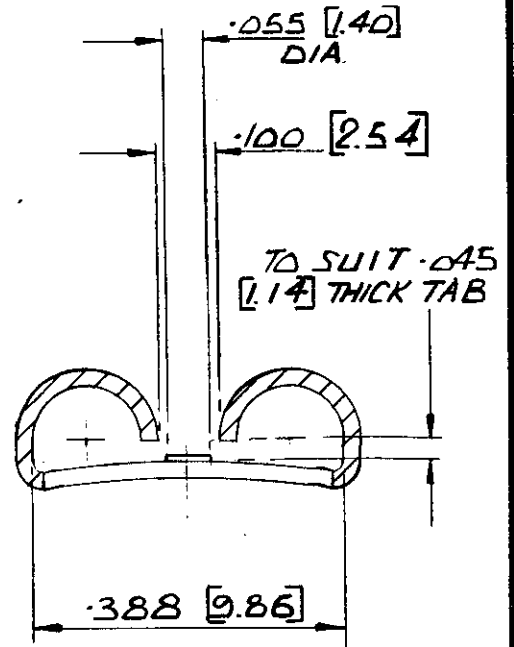
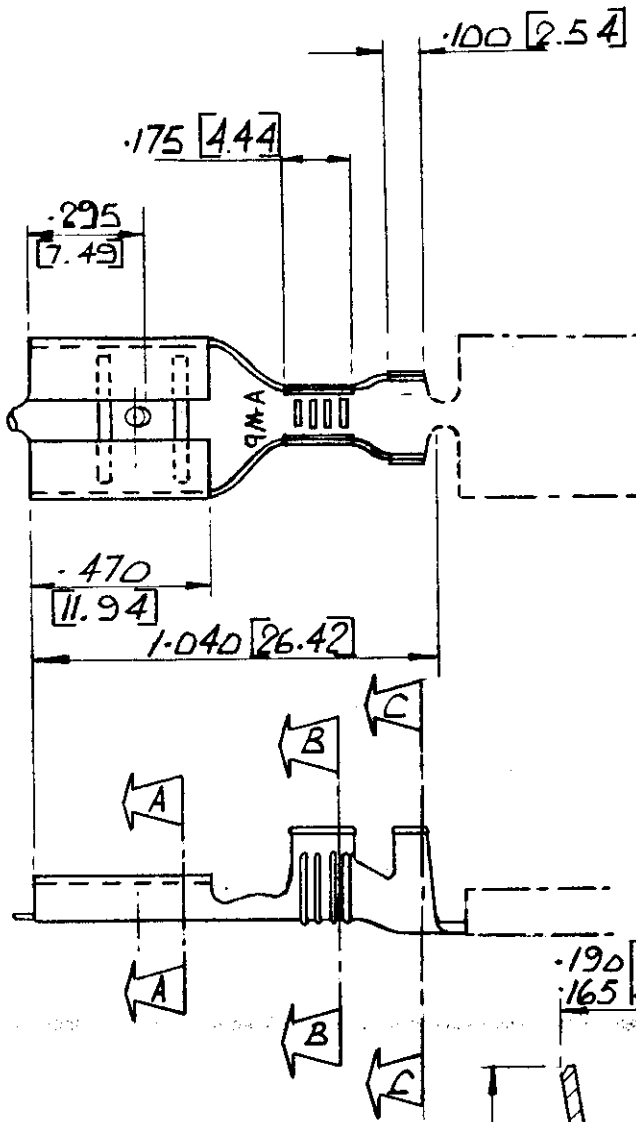


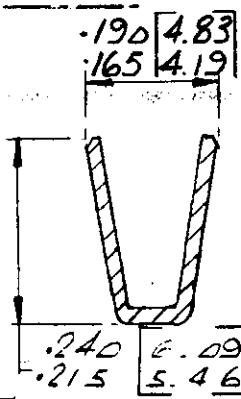
C-150530

3rd ANGLE (AMERICAN) PROJECTION

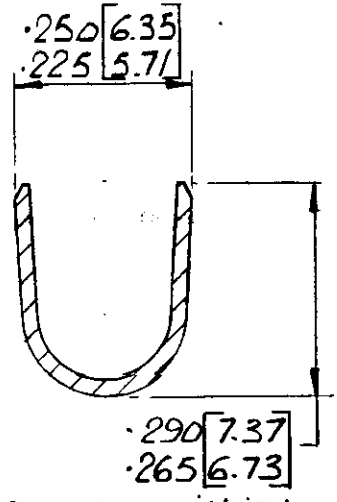
DIMENSIONS IN INCHES. DO NOT SCALE PRINT
DIMENSIONS THUS [] IN MM.



SECTION A-A
SCALE: 4:1



SECTION B-B
SCALE: 4:1



SECTION C-C
SCALE: 4:1

150530-2	NONE	PHOS. BRZ.	—
150530-1	ELECT-TIN	BRASS	150270-1
150530	NONE	BRASS	150270
PART NO:	FINISH	MATERIAL	LOOSE PIECE

DR	DE	CHK	APP
T. E. SLOUGH		K. STEVENS	
27/5/74	25-1-78	10-2-74	11/174

© AMP of GREAT BRITAIN LTD 1974

CUSTOMER COPY REFERENCE ONLY

MATERIAL AND FINISH: .020 [0.51] STOCK THICKNESS SEE TABLE

AMP of Great Britain Ltd

TERMINAL HOUSE, STANMORE, MIDDX.

CLASS: WT-R

TYPE: AUTOMATIC

WIRE - RANGE - INSULATION: 2-6mm² -160-210

TOLERANCE EXCEPT AS NOTED: ± .015 [0.38] ± 1° or 2:184:1

SCALE: 2:184:1

LOC: E

NO: A C-150530

REV

NAME: EASTON RECEPTACLE '375 [9.52] SERIES'